



# SPR-42 SNOW PLOW

## PARTS LIST AND INSTRUCTIONS

### ASSEMBLING

The snow blade is shipped as two pieces. To assemble, remove the  $\frac{3}{8} \times 3$  bolt from the blade and insert the drive (A) between the larger position plate and the small plate. The lift bar (C) must be on the left side, viewed from rear.

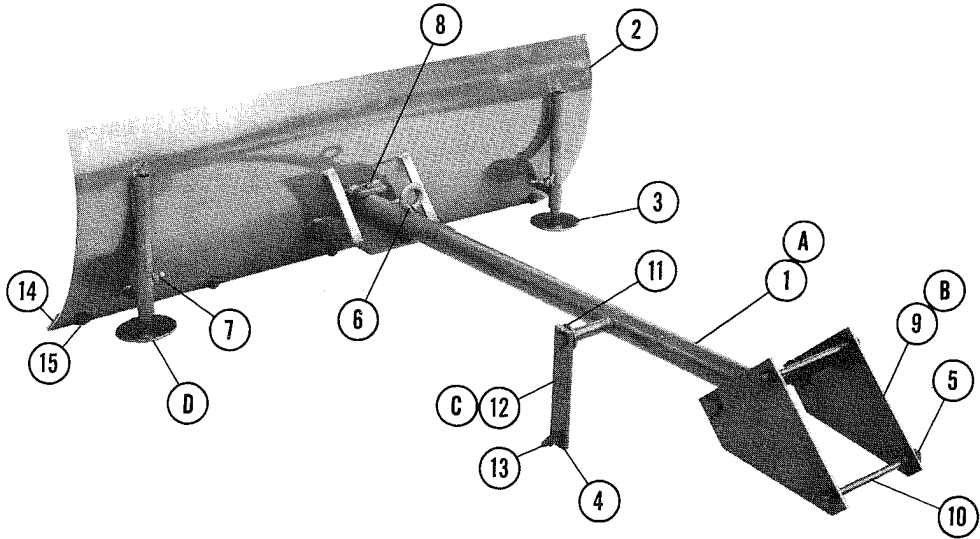
### ATTACHING TO THE TRACTOR

To attach the drive to the tractor, bolt the hanger plates (B) to the frame. These are bolted in the rear two mounting holes with the plates on the outside of the frame. Connect the lift bar (C) to the lift lever with the  $\frac{3}{8} \times 1\frac{1}{2}$  bolt and double nut. The unit is now ready for use.

### ADJUSTMENTS

The snow blade has a three position adjustment for plowing. It may be switched by removing the tool pin and resetting the position and replacing the pin.

The skids (D) should be set so the blade rides just above the ground. This will prevent damage to the blade which might occur while plowing on sidewalks and drives.



### PARTS LIST for SPR-42

Ref. No.	Part No.	Description	No. Req.
1	2334	Drive Assembly	1
2	2336	Blade Assembly	1
3	2343	Skid Assembly	2
4	1016	HN, $\frac{3}{8}$ -16	3
5	1039	Lockwasher, $\frac{3}{8}$	8
6	1813	Tool Pin	1
7	1161	Set Screws, $\frac{3}{8}$ -16 x $\frac{5}{8}$	2
8	1168	HHCS, $\frac{3}{8}$ -16 x 3	1

Ref. No.	Part No.	Description	No. Req.
9	2332	Hanger Plate	2
10	1162	Machine Bolt w/Nut, $\frac{3}{8} \times 7$	2
11	1002	Cotter Pin, $\frac{1}{8} \times 1$	3
12	2333	Lift Link	1
13	1064	HHCS, $\frac{3}{8}$ -16 x $1\frac{1}{2}$	1
14	2346	Wear Plate	1
15	1251	Carriage Bolt, $\frac{3}{8} \times \frac{3}{4}$	5