

# Wheel-Horse

Reg. U. S. Pat. Off.

## LMR-30 REEL MOWER

### PARTS LIST AND INSTRUCTIONS

#### ASSEMBLY INSTRUCTIONS

Your front mounted reel mower comes packed complete in one carton. Remove all parts from carton. Remove bolt that holds Part No. 2476, to shaft. Place reel assembly, Part No. 2418, in front of main frame, Part No. 2481. Place left end plate over hub of mower. Replace right side end plate, Part No. 2476, on shaft and hub of mower and pin with  $\frac{1}{2} \times 1\frac{1}{2}$  roll pin. Place sprocket, Part No. 2490, over reel shaft, tightening set screw to hold sprocket fast. Place sprocket, Part No. 2489, on drive shaft, Part No. 2484, again tightening set screw. Place chain, Part No. 2488, over sprockets. Assemble chain guard, Part No. 2494, bolting it to the end plate using  $\frac{3}{8} \times \frac{3}{4}$  bolt. Slide entire unit to front of tractor. Bolt mounting hitch, Part No. 3810, to frame of tractor, using  $\frac{3}{8} \times 1\frac{1}{2}$  bolt, hex nuts, and lock washers.

Next, slide clutch pedal, Part No. 3821, over foot rest on right side of tractor. Insert clutch rod, Part No. 3814, into clutch pedal; place cotter pin  $\frac{1}{8} \times 1$  to hold. Place shaft collar, Part No. 1085 on foot rest, next to clutch pedal and tighten.

Attach lift bar, Part No. 3817, to lift arm on main frame, using  $\frac{3}{8} \times 1\frac{1}{4}$  bolt and jam nuts. Attach other end of lift bar to lift lever on tractor, using same bolts and nuts. Place belt, Part No. 1562, over pulley on tractor. Assemble belt guard, Part No. 3819, to tractor using  $\frac{1}{4} \times \frac{3}{4}$  bolt and hex nut;  $\frac{3}{8} \times 1$  bolt, hex nut and lockwasher.

To adjust belt, Part No. 1562, remove clutch rod from clutch pedal and adjust by means of threads on opposite end of clutch rod, which is inserted into shoulder bolt, Part No. 1861, tightening or loosening as you would a bolt.

**Lubricate before using**, and every two or three hours when in use, being careful not to overgrease. Keep grease off belt and pulley.

#### CAUTION

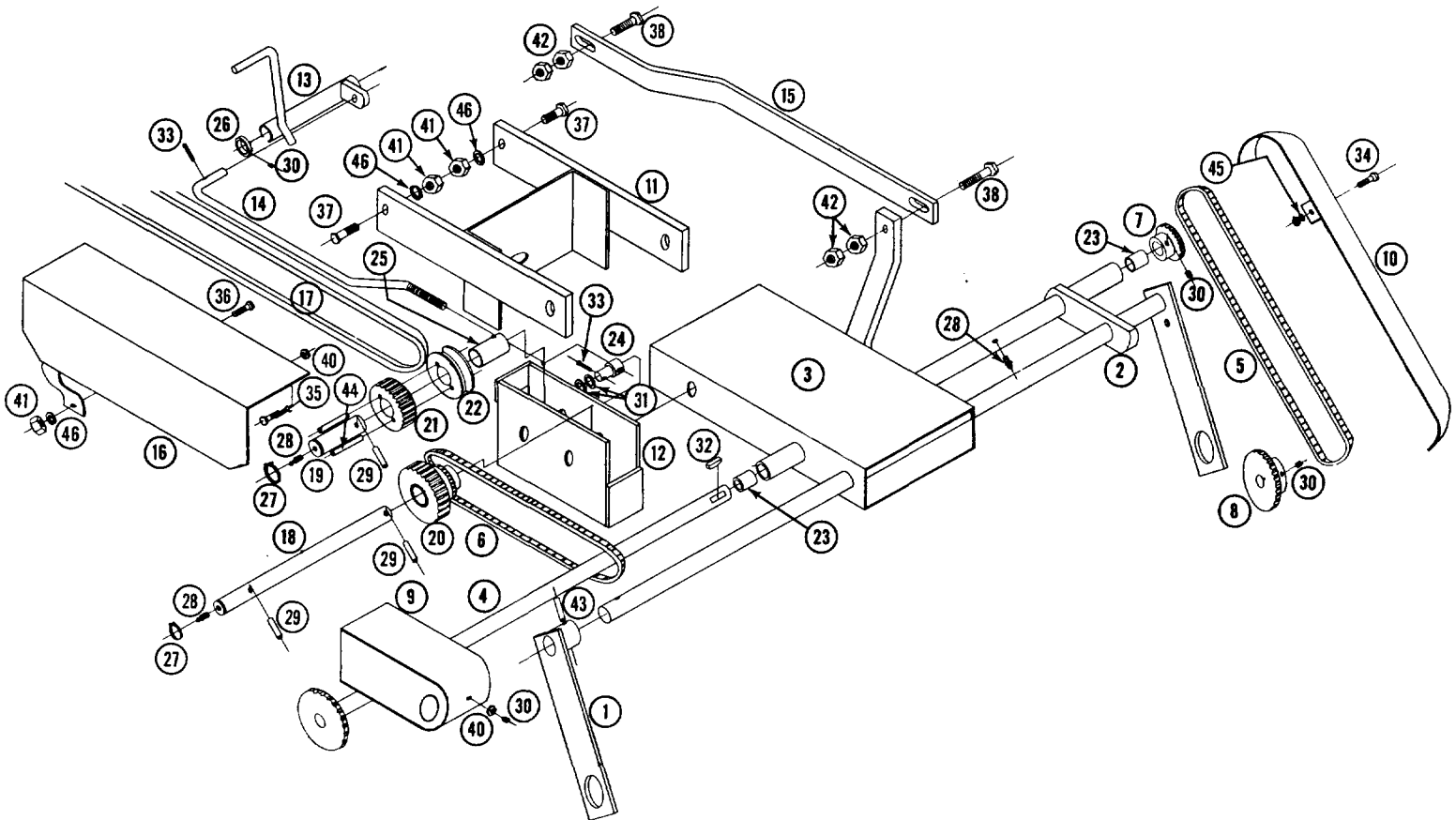
**Do not attempt** to adjust mower or remove particles in reel with tractor running, or with clutch **engaged** or **disengaged**.

### WHEEL-HORSE PRODUCTS, INC.

# REEL MOWER PARTS LIST

Ref. No.	Part No.	Part Description	No. Required
1	2476	Right Side End Plate	1
2	2477	Spacer Block	1
3	2481	Main Frame	1
4	2484	Drive Shaft	1
5	2488	L. H. Chain—Lower	1
6	2487	R. H. Chain—Upper	1
7	2489	Sprocket	1
8	2490	Sprocket	1
9	2491	Upper Chain Guard	1
10	2494	Lower Chain Guard Assembly	1
11	3810	Mounting Hitch	1
12	3815	Gear Case	1
13	3821	Clutch Pedal	1
14	3814	Clutch Rod	1
15	3817	Lift Bar	1
16	3819	Belt Guard	1
17	1562	"V"-Belt	1
18	3806	Pivot Shaft	1
19	3807	Intermediate Shaft	1
20	3856	Gear and Sprocket Ass'y.	1
21	3803	Pulley Gear	1
22	3823	Drive Pulley	1
23	1504	Bronze Bearing	2

Ref. No.	Part No.	Part Description	No. Required
24	1861	Shoulder Bolt	1
25	1524	Bronze Bearing	2
26	1085	Shaft Collar	1
27	1127	Snap Ring	2
28	1030	Grease Zerk	3
29	1133	Roll Pin	3
30	1066	Socket Head Set Screw	4
31	1017	S.A.E. Washer	2
32	1194	#5 Woodruff Key	1
33	1002	Cotter Pin	2
34	1089	Hex Head Cap Screw	1
35	1166	Hex Head Cap Screw	1
36	1062	Hex Head Cap Screw	1
37	1064	Hex Head Cap Screw	2
38	1028	Hex Head Cap Screw	2
39	1007	Hex Nut	1
40	1034	Hex Nut	2
41	1016	Hex Nut	3
42	1080	Hex Jam Nut	4
43	1081	Roll Pin	1
44	1134	Roll Pin	2
45	1045	Lockwasher	1
46	1039	Lockwasher	3

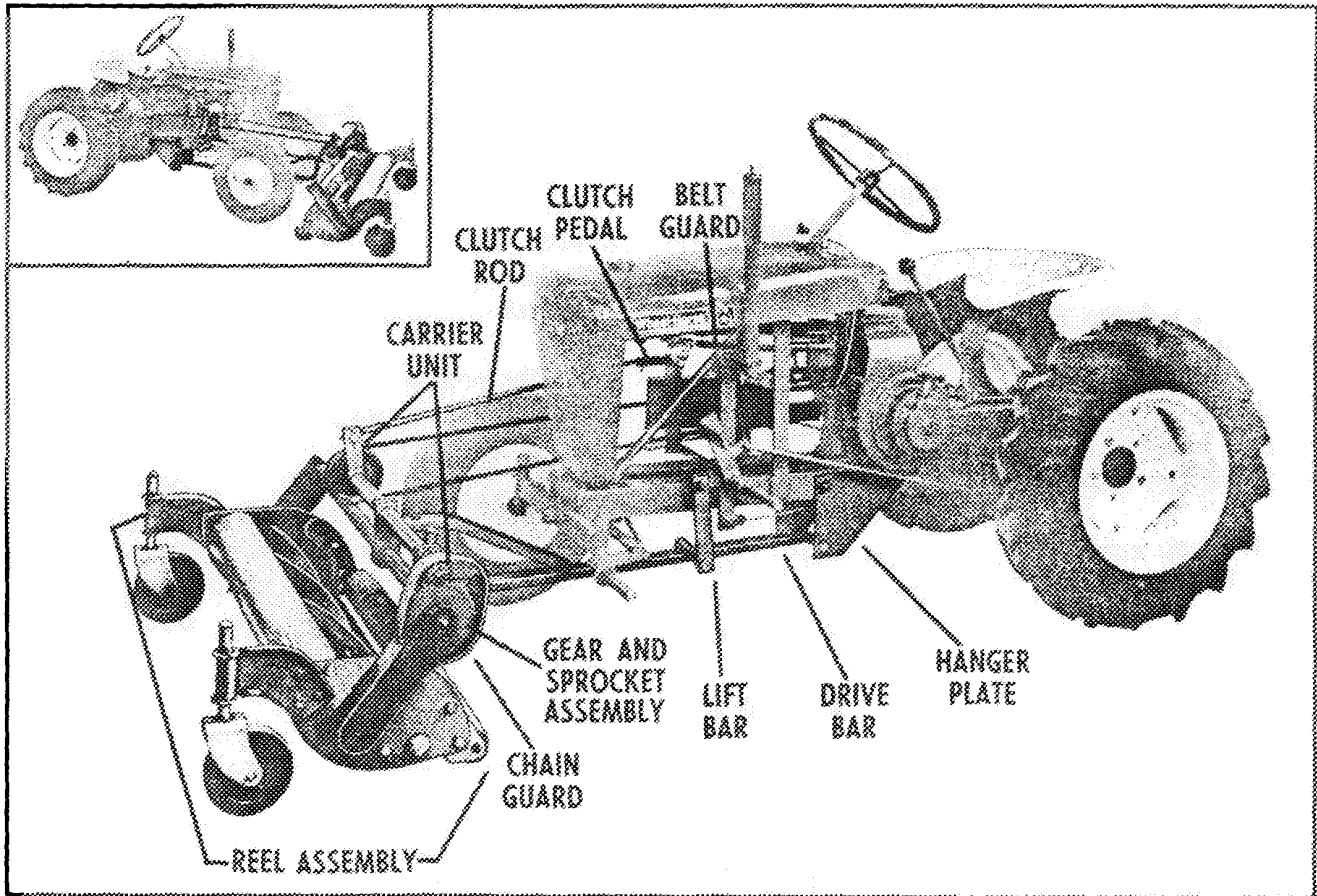


# Wheel-Horse

Reg. U. S. Pat. Off.

## LMR-30

## REEL LAWN MOWER



### INSTRUCTIONS FOR ASSEMBLING

The first thing you do in connecting your new reel assembly to the Wheel Horse tractor is to attach the carrier unit of the reel assembly to the tractor. You do this by connecting the hanger plate at the place provided underneath the tractor at the sides of frame, between the front and rear wheels. Then you attach the lift bar to the tractor lift lever.

Now, before connecting the carrier unit to the reel assembly, prepare to attach

the carrier unit to the reel assembly by removing and discarding the shipping bolt immediately next to the chain guard on the shaft. Then remove the drive unit's shoulder bolt and slip off the gear and sprocket assembly and chain guard.

Take main carrier unit and connect it to reel assembly. To do so, first place carrier arm over 1-5/8" pilot boss on right side. Then replace chain guard on carrier unit by slipping it back on to shaft and, at

WHEEL-HORSE PRODUCTS



SOUTH BEND, INDIANA

# LMR-30 REEL LAWN MOWER

the same time, on to pilot boss same as on other side. Replace gear and sprocket assembly, fasten shoulder bolt. Insert Woodruff key in reel drive shaft. Slip chain sprocket over reel drive shaft and key and then lock with Allen set screw. Now put on chain.

To complete assembling carrier unit to reel assembly, insert 1/4" x 1-1/2" roll pin in hole on carrier unit shaft from which you previously removed shipping bolt. To do this you must line up hole in collar with hole in shaft.

Attach drive bar to carrier unit by inserting and tightening two bolts.

Put belt on by slipping it over pulley on carrier unit first and then over power take-off pulley on tractor.

Now you are ready to put the belt guard in position. Simply slide the tube collar of the belt guard over the tractor's right

foot-rest. Then fasten the belt guard to the tractor with hanger plate bolt. Now return to the tube collar and tighten set screw.

Next, you attach the clutch rod to the pedal (located on belt guard) with cotter pin and then insert shoulder pin in bar on carrier unit and fasten it with cotter pin.

Belt may stretch after a few hours of operation. To adjust belt, simply remove clutch rod from carrier unit and move shoulder pin up or down on rod by turning it as you would a bolt, to loosen or tighten.

Your new Wheel Horse tractor and reel assembly are now ready to go to work!

Grease the reel assembly at two points every time you use it -- in gear and sprocket assembly and in grease fitting on carrier unit. If reel assembly is used continuously, grease at these two points about every 4 hours.

## PARTS LIST

Part No.	Description	Number Required
2445	Carrier, (Left)	1
2449	Chain Guard	1
2451	Cross Shaft Housing	1
2455	Drive	1
2332	Hanger Plate	2
2458	Belt Guard	1
2464	Pedal, Clutch	1
2402	Rod, Clutch	1
2467	Cross Shaft	1
2435	Gear and Sprocket	1
2333	Lift Bar	1
2437	Chain	1
2434	Sprocket	1
1611	Pulley	1
1562	Belt, V	1
1509	Bearing, Bronze	1
1504	Bearing, Bronze	2
1064	Cap Screw, Hex Head, 3/8-16x1-1/2"	2
1015	Cap Screw, Hex Head, 3/8-16x1-3/4"	2
1162	Machine Bolt, 3/8 x 7	2
1161	Set Screw, Square Head Cup Point, 3/8-16 x 5/8	1
1016	Nut, Hex, 3/8-16	7
1039	Lockwasher, Spring, 3/8	4
1040	Washer, Flat, 3/4 S. A. E.	3
1187	Washer, Flat, 1" S. A. E.	1
1005	Key, Square, 3/16 Square x 1"	2
1122	Key, Woodruff, #9	1

Part No.	Description	Number Required
1002	Cotter Pin, 1/8 x 1	5
1081	Roll Pin, 1/4 x 1-1/2	1
1049	Shoulder Bolt, 5/8 x 1; 3/8-16	1
1861	Shoulder Pin, 1/2 x 1/2; Cross Hole	1
1030	Grease Fitting	2
2418	REEL ASSEMBLY (includes all parts listed below)	1
	LPA-515 Reel Assembly L. H.	
	LPA-518 Cutter Bar Assembly	
	LPA-517 Side Frame Assembly L. H.	
	LPA-516 Side Frame Assembly R. H.	
	LPA-512 Caster Assembly	
	LP-677 Brush Bar	
	LP-475 Brush Bracket	
	LP-696 Roller Shaft	
	L-114 Adjusting Cam	
	LP-411 Roller Section	
	F5-301 5/16-24 x 3/4 Hex. Hd. Cap Screw	
	F10-315 5/16-24 "Huglock" Nut	
	F5-350 3/8-24 x 7/8 Hex Cap Screw	
	F5-353 3/8-16 x 3/4 Carriage Bolt	
	F15-352 3/8 Lockwasher	
	F5-201 1/4-20 x 3/4 Fillister Hd. Screw	
	F10-201 1/4-20 Square Nut	
	F15-200 1/4 Lockwasher (Shakeproof)	
	F15-650 3/8 S. A. E. Washer	
	F20-75 3/16 x 1 1/4 Cotter Pin	
	L-146 Adjusting Wrench	

**WHEEL-HORSE PRODUCTS**